

D21 Series

WIRELESS REMOTE CONTROL

Receiver Features

- ✓ Programmable Outputs - Momentary, Toggle, Pulse, On, Off
- ✓ Power, Start and Communication interlock relays
- ✓ Output Relays rated 10 AMP 250 V
- ✓ DC power and AC power versions available
- ✓ 4.3 Billion ID Codes for security of operation
- ✓ Self Diagnostics including output contact closure sense

Option: Analog (PWM) Output Module for Hydraulic or other applications

Transmitter Features

- ✓ Compact Size and Weight
- ✓ Rugged Glass-Fiber Design for Durability
- ✓ Single or Dual Step Buttons*
- ✓ Stop Button or Magnet Switch and Safety Start Switch
- ✓ 200 - 300 foot range
- ✓ Alkaline or Rechargeable AA Battery
- ✓ Password Protection Option



Receiver

Overview

The D21 series of wireless remote controls are one of the most reliable, affordable and secure industrial remote control systems available today. These units are suitable not only for most crane applications, but also many other industrial and commercial applications including cement pumps, mobile lifts, winches, tailgates, conveyors, tow trucks, doors, machinery, and even agricultural equipment. AC line and DC powered receiver versions are available. Even an optional analog or PWM output module may be added for controlling things such as motor speed, proportional valves, or setting PID controller setpoints.

Remote control function options may be programmed by Factory. Some of the programmable functions include: output function (normal, toggle, pulse, on, off), operating frequency, power on method, operator password, auto off, power save, alarm, interlocked or non-interlocked buttons, and more.

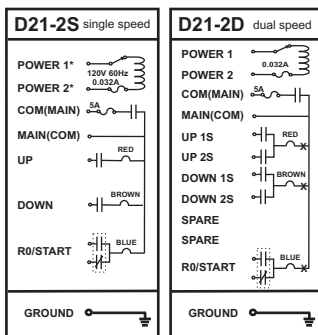
The Transmitter is available in 2, 4, 6, 8 and 10 button versions, with single or dual-step buttons. The dual-step buttons are useful for multispeed control or two stage applications. Standard AA batteries provide weeks of continuous operation. Optional rechargeable batteries may also be used. Transmitter range is typically up to 300', but may differ due to conditions. The transmitter buttons are environmentally sealed, and the glass fiber reinforced pendant style case will provide many years of reliable operation.

The remote control system provides full internal diagnostics including detection of contact failure. 4.3 billion individual ID codes ensures multiple systems can operate in the same vicinity without conflict. Multiple TX can be set up to operate the same RX or one TX can operate multiple RX. The flexibility and low cost of the D21 Industrial Radio Remotes will surprise you. Call with your application today.

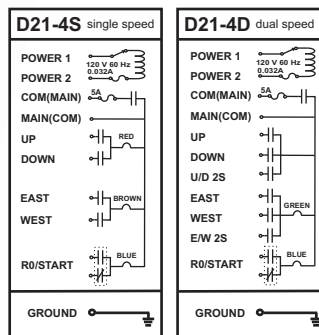
Power Supply Options

- 0 12/24 VDC
- 2 110/220 VAC 50/60 Hz

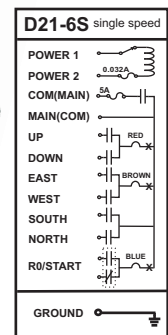
D21-2S
D21-2D



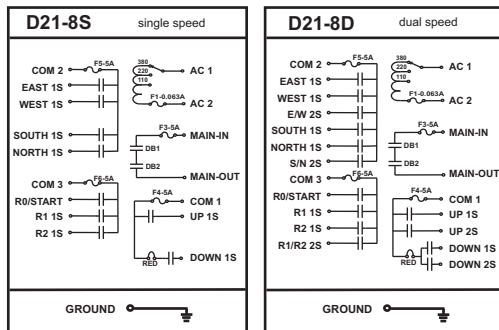
D21-4S
D21-4D



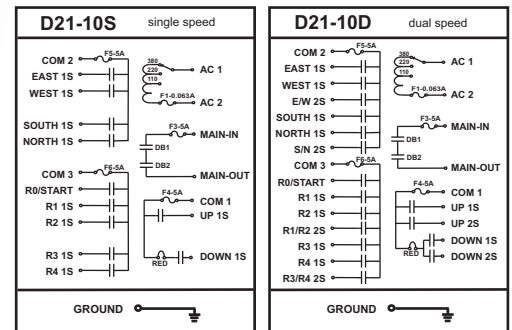
D21-6S



D21-8S
D21-8D



D21-10S
D21-10D



Note: All specifications are subject to change without notice

Although the Entek D21 Series remote control units utilize digital encoding and as a result provide extremely reliable operation, they do not include an inherent failsafe or redundancy, and as such should not be used under any circumstances, in applications where damage or injury may occur in the case of improper operation or malfunction. Due to the nature of RF (radio frequency) signals, the customer assumes all responsibility for the application and use of these remote control devices.